

Hay Transports

TE SLAA

MFG.

www.teslaamfg.com

Hull, Iowa



Round Bale Hay Transport

Cost efficient

Time saving

Durable

888-439-6788

Haul more bales in less



12 HD Bale Hay Transport



Gone are the days of overloading flatbeds to haul a handful of round bales at a time!

Our Hay Transport combines durability, large capacity, and accessibility all into one convenient cart.

SPECIFICATIONS

- Twin Center Beam for extra strength
- 4" x 12" x 3/8" thick main frame tube
- 385 x 22.5" x 11 super single front tires
- 445 x 22.5" x 11 super single rear tires
- Rear tires are extra wide for maximum flotation
- 8,000 lb. hub and spindle on front wheels
- 12,000 lb. hub and spindle on rear wheels
- 4" x 4" x 48" square tubing carrying arms
- Heavy duty telescoping tongue for easy hook-up

CAPACITY

- 12 large bales (up to 22 lighter weight bales)
- 38,000 lbs. GVW

OPTIONS

- Front wheel fender
- 4" x 4" x 54" square tubing carrying arms
- Tail light bar

12 Bale Hay Transport



SPECIFICATIONS

- Twin Center Beam for extra strength
- 4" x 12" x 3/8" thick main frame tube
- 22.5" x 8" semi truck tires on front axle
- 445 x 22.5" x 11 super single rear tires
- Rear tires are extra wide for maximum flotation
- 6,000 lb. hub and spindle on front wheels
- 12,000 lb. hub and spindle on rear wheels
- 4" x 4" x 48" square tubing carrying arms
- Heavy duty telescoping tongue for easy hook-up

CAPACITY

- 12 large bales (up to 22 lighter weight bales)
- 36,000 lbs. GVW

OPTIONS

- Front wheel fender
- 4" x 4" x 54" square tubing carrying arms
- Tail light bar

time!



10 Bale HD Hay Transport



SPECIFICATIONS

- 4" x 12" x $\frac{3}{8}$ " thick main frame tube
- 22.5" x 8" semi truck tires on front axle
- 425 x 22.5" x 11 super single rear tires
- Rear tires are extra wide for maximum flotation
- 6,000 lb. hub and spindle on front wheels
- 8,000 lb. hub and spindle on rear wheels
- 4" x 4" x 48" square tubing carrying arms
- Heavy duty telescoping tongue for easy hook-up

CAPACITY

- 10 large bales (up to 18 lighter weight bales)
- 28,000 lbs. GVW

OPTIONS

- Front wheel fender
- 4" x 4" x 54" square tubing carrying arms
- Tail light bar

10 Bale Hay Transport



SPECIFICATIONS

- 4" x 12" x $\frac{3}{8}$ " thick main frame tube
- 22.5" x 8" semi truck tires
- 6,000 lb. hub and spindle on front and rear wheels
- 4" x 4" x 48" square tubing carrying arms
- Heavy duty telescoping tongue for easy hook-up

CAPACITY

- 10 large bales (up to 18 lighter weight bales)
- 24,000 lbs. GVW

OPTIONS

- Front wheel fender
- 4" x 4" x 54" square tubing carrying arms
- Tail light bar

8 Bale Hay Transport



CAPACITY

- 8 large bales (up to 10 lighter weight bales)
- 18,000 lbs. GVW

OPTIONS

- 4" x 4" x 54" square tubing carrying arms
- Tail light bar

SPECIFICATIONS

- 4" x 10" x 1/4" thick main frame tube
- 16" 10 ply tires on front axle
- 22.5" x 8" semi tire on rear axle
- 3,500 lb. hub and spindle on front wheels
- 6,000 lb. hub and spindle on rear wheels
- 4" x 4" x 48" square tube carrying arms
- Heavy duty telescoping tongue for easy hook-up

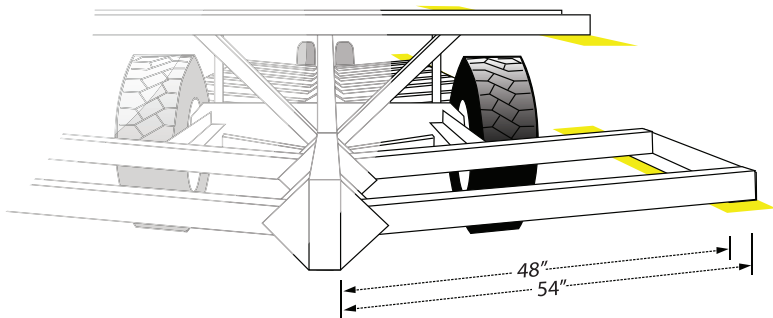
Options



Front Wheel Fender (Optional)
Available only for 10 bale, 10 bale HD, 12 bale, and 12 bale HD models



Tail Light Bar (Optional)
Available on all models



Longer Carrying Arms
48" (standard), 54" (Optional)
Available on all models



Te Slaat Manufacturing

821 Black Forest Road, Highway 18
Hull, IA 51239
888-439-6788
www.teslaamfg.com

